

# TOILET PARTITION HARDWARE

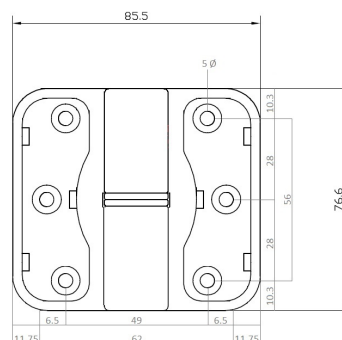


## MODAHINGE\_SCP

Moda Spring Hinge - Satin Chrome Plate

### Specification

Material	Diecast Zinc, Alloy ZP3 Brass Shaft Nylon Inserts ABS Snap-On Covers
Finish	Satin Chrome Plate
Also Available	<a href="#">MODAHINGE_ANMB</a> : Antimicrobial <a href="#">MODAHINGE_DESIGNER</a> : Designer Matte Black
Mounting	Concealed Screw Fix or Bolt Through
Minimum Hinge Clearance For Lift-Off Hinges	35mm
Specify	MODA_LHSPRING_SCP: Left Hand MODA_RHSPRING_SCP: Right Hand
Features	Spring-assisted door opening/door closing Fully Adjustable Spring to suit door - No Tension to Full Tension Spring Reversible Hold Open / Hold Closed Liftoff capability
Load Rating	15Kg per hinge  For optimum performance - 2 hinges per door up to 30Kgs For doors over 30Kg allow for 15Kg per hinge  <i>Note: 3 Hinges per door is recommended to prevent door bowing</i>
Note	For Bolt Through use <a href="#">106C_FACEPLATE</a> Concealed Fix Face Plate (Available in Satin Chrome Plate only)  All hinges are available with or without fixings. Please nominate your requirements at the time of ordering.



### Downloads & Resources

- Care & Maintenance
- Installation instructions
- Associated Videos
- Stainless Steel Cleaning & Maintenance
- Accessibility and safety features of Metlam Australia Toilet Partition Hardware and how to use them
- Troubleshooting your Metlam Australia Lock & Indicator Sets

The photographs and line drawings of the products presented above are representational only. Metlam Australia Pty Ltd reserves the right to, and from time to time, make changes and improvements in design and dimensions.

