

# TOILET ROLL DISPENSERS

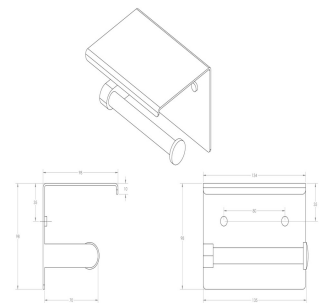


## ML268\_TRH\_DESIGNER

Single Toilet Roll Holder with Shelf Top in Designer Black

### Specification

Material	#304 Stainless Steel 1.5mm Thick Shelf
Finish	Designer Matte Black
Mounting	Surface Mount Visible Fix
Capacity	Holds one standard toilet roll
Features	Multifunctional unit with shelf top. Upper can hold mobile phone or bag whilst lower holder is for toilet paper roll. Seamless welds and rolled edges, finished in Designer Black.
Also Available	<a href="#">ML268_TRH_SS</a> : Stainless Steel <a href="#">ML268_TRH_PSS</a> : Polished Stainless Steel
Consumable Advice	Standard Toilet Roll, can hold up to 230 sheets per roll



### Downloads & Resources

Care & Maintenance

Associated Videos

Keeping your Metlam Australia products looking like new

*The photographs and line drawings of the products presented above are representational only.  
Metlam Australia Pty Ltd reserves the right to, and from time to time, make changes and improvements in design and dimensions.*