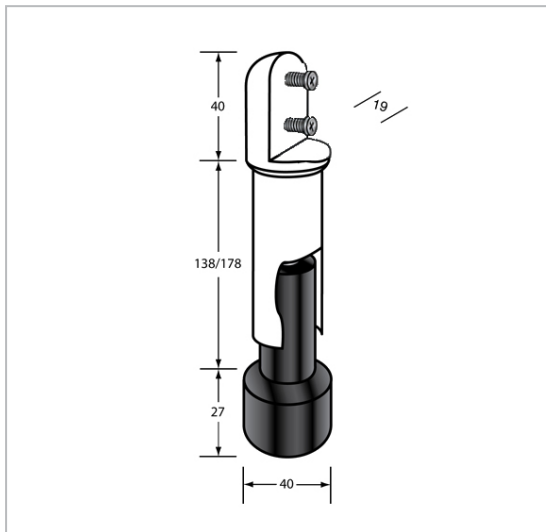




120ALUM-Series Heavy Duty Aluminium Leg

SPECIFICATIONS

Material	Aluminium, Nylon Base
Finish	Natural Anodised
Features	Off Floor System 40mm Adjustment
Specify	120ALUM_50: 50mm min - 55mm max height 120ALUM_100: 100mm min - 110mm max height 120ALUM_150: 135mm min - 165mm max height 120ALUM_165: 165mm min - 200mm max height 120ALUM_200: 188mm min - 225mm max height



SUITABLE APPLICATIONS

