

HOOKS



ML4160SS_HOOK

Coat Hook with Bumper - Concealed Fix in Satin Stainless Steel

Specification

Material #304 Stainless Steel
Rubber Bumper

Finish Satin Stainless Steel

Mounting Concealed Screw Fix via Ferrule

Dimensions 30mmW x 35mm x 65mmD

It is recommended that any individual unit is installed whereby it clears any other fixtures by at least 150mm and not carry loads any greater than 8kg

Note * This unit is accessible compliant when installed in accordance with AS1428.1. guidelines.

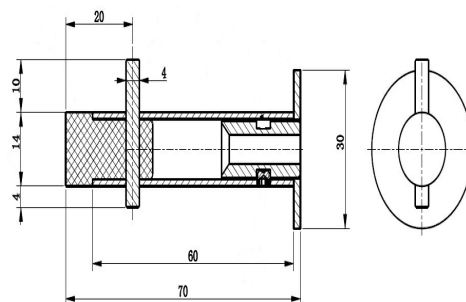
Downloads & Resources

Care & Maintenance

Installation instructions

Associated Videos

Stainless Steel Cleaning & Maintenance



The photographs and line drawings of the products presented above are representational only. Metlam Australia Pty Ltd reserves the right to, and from time to time, make changes and improvements in design and dimensions.